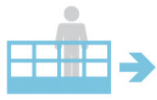


SPECIFICATION (PRELIMINARY)

CTEB-LIFT 27.2 IVECO Daily



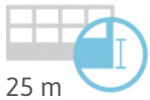
27 m*



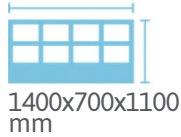
15,5 m*



250 kg



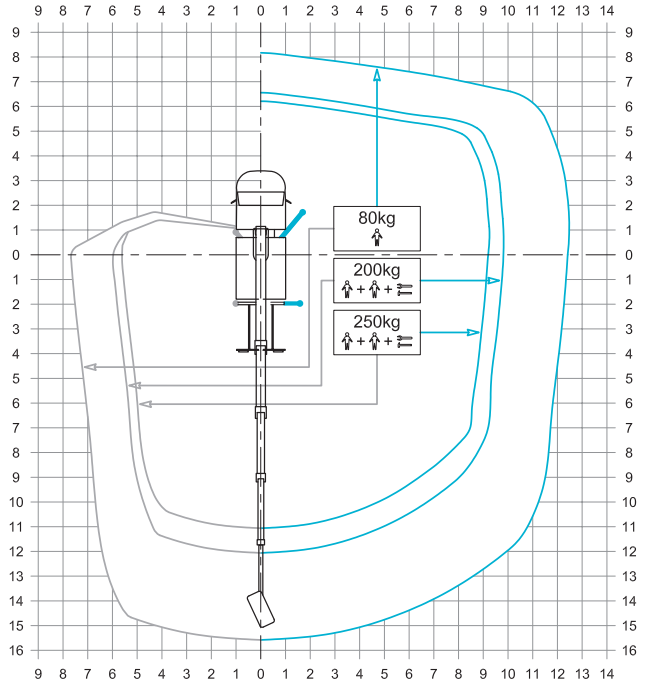
25 m



1400x700x1100 mm

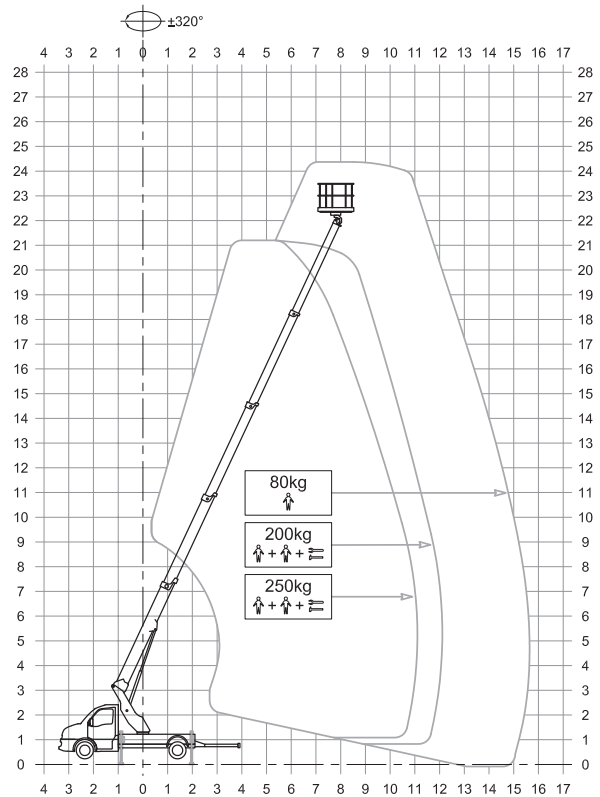
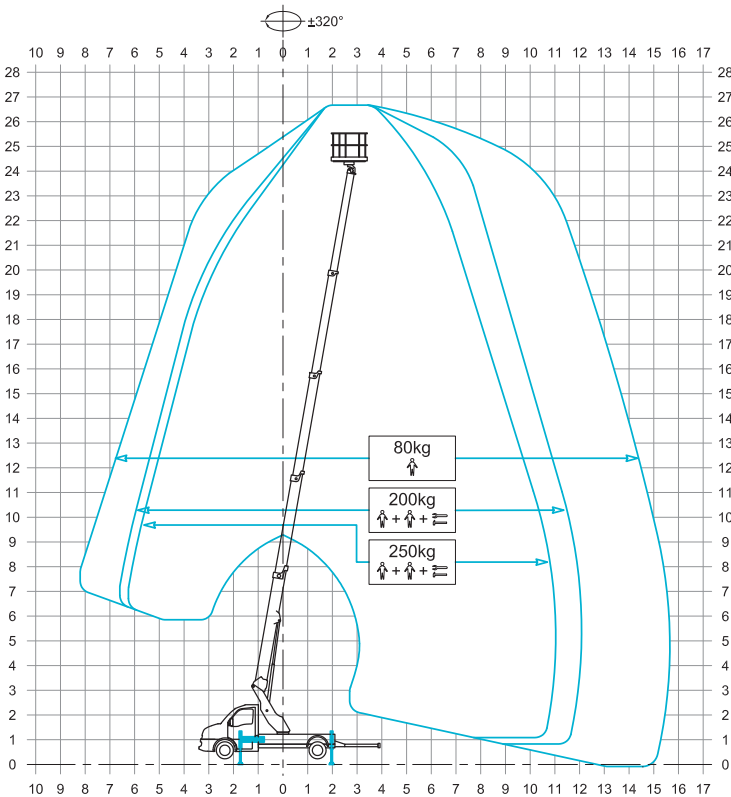
GVW min
3,5 t

* outreach and height max values and repeatability can change within $\pm 3\%$ due to manufacturing variation and working condition.



OUTRIGGER FOOTPRINT

WORKING ENVELOPE



Product specifications are subject to change without notice or obligation. Technical features and drawings in this brochure are for illustrative purposes only. _B-LIFT 27.2 - ed. 11/20



CTE S.p.A.

Headquarter 7 Via Caproni - Rovereto (TN) IT, 38068

Ph. +39 0464 48.50.50 - Fax +39 0464 48.50.99

info@ctelift.com - www.ctelift.com

Factory 5 Loc. Terramatta - Rivoli Veronese (VR) IT, 37010

CTE UK Ltd Enderby Leicestershire - UK

